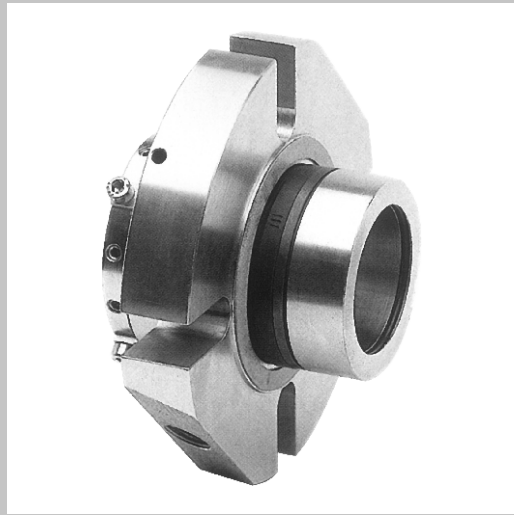


CTX ANSI Dual Seals Mechanical Seals for Pumps · Standard Cartridge Seals

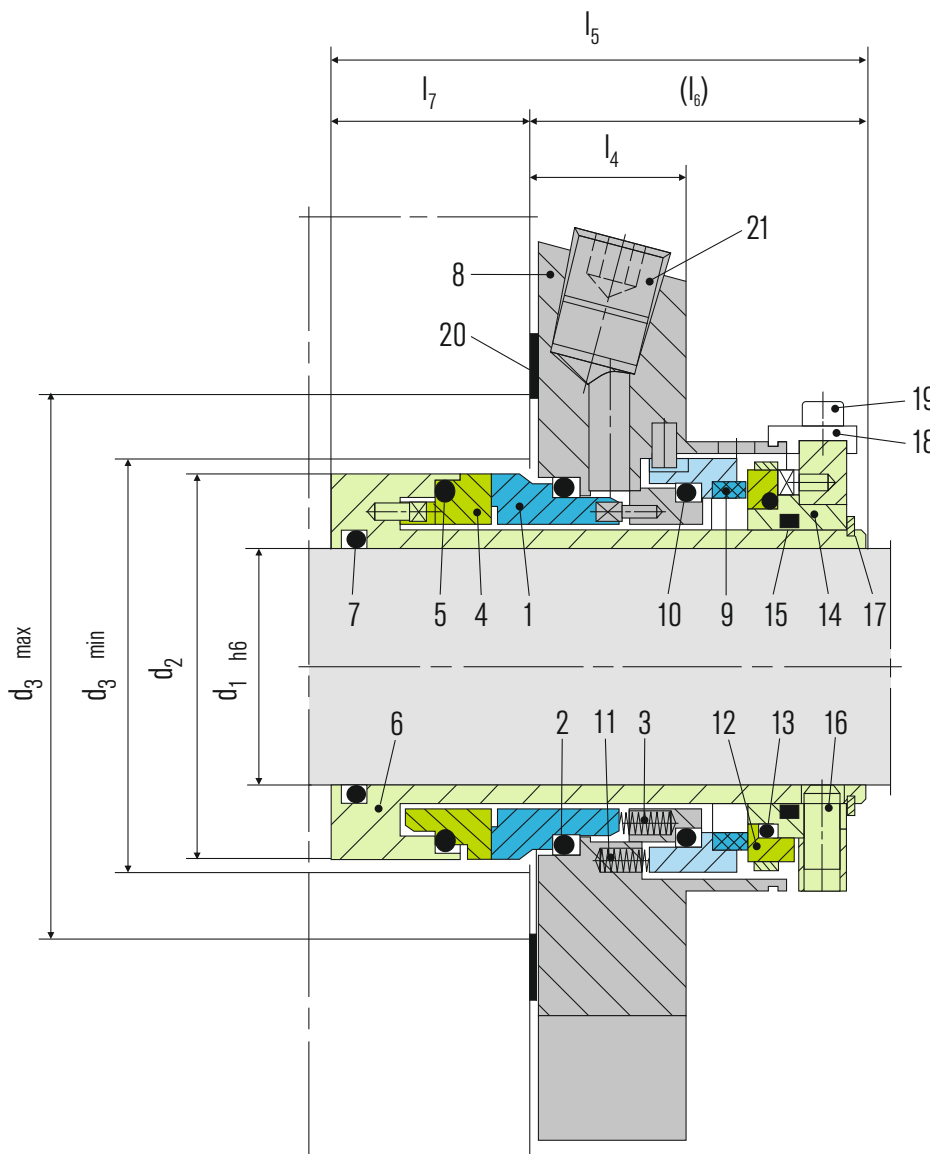


Product Description

1. Dual seal
2. Available for standard (CTX-ASDN) and big bore (CTX-ABDN) seal chambers
3. Balanced
4. Cartridge
5. Double pressure balanced
6. Independent of direction of rotation
7. Integrated pumping device

Technical Features

1. Ideal for use in ANSI process pumps
2. No damage of the shaft by dynamically loaded O-Ring
3. No dimensional modification of the seal chamber necessary, small radial installation height
4. Universal applicable for packings conversions, retrofits or OEM



Typical Industrial Applications

ANSI process pumps
 Chemical industry
 Food and beverage industry
 Petrochemical industry
 Pharmaceutical industry
 Universally applicable
 Water and waste water technology

Standards

ANSI

Materials

Seal face: Silicon carbide (Q1), Carbon graphite resin impregnated (B), Tungsten carbide (U2)
 Seat: Silicon carbide (Q1)
 Secondary seals: FKM (V), EPDM (E), FFKM (K), Perfluorocarbon rubber/PTFE (U1)
 Springs: Hastelloy® C-4 (M)
 Metal parts: CrNiMo steel (G), CrNiMo cast steel (G)

Item	Description
1	Seal face
2, 5, 7, 10, 13, 15	O-Ring
3	Spring
4	Seat
6	Shaft sleeve
8	Cover
9	Seal face
11	Spring
12	Seat
14	Drive collar
16	Set screw
17	Snap ring
18	Assembly fixture
19	Hex socket head screw
20	Gasket
21	Screw plug
22	Gasket

